



VEHICLE KEY BENEFITS



German standards

Engineered to the highest German standards



Patented PowerFrame[®]

Patented PowerFrame[®] grid for reliable starting power, fast recharge and corrosion resistance.



Original criteria

Meets all original criteria of the car manufacturer

SILVER DYNAMIC

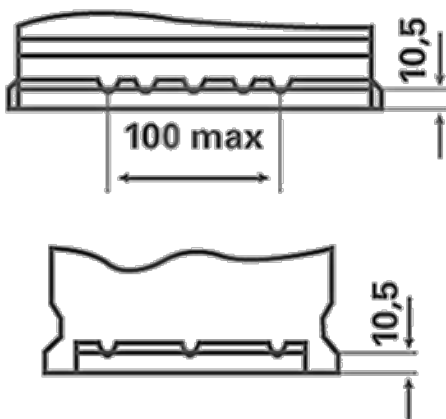
5634000613162

TECHNICAL DATA

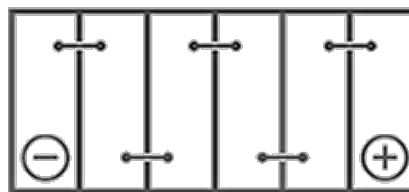
Capacity:	63 Ah	CCA:	610 A
Voltage:	12 V	Dimensions (L/W/H):	242/175/190
Case Size:	H5/LN2	Short Code:	D15
UK-Code:	027	ETN:	563400061
Weight filled:	14,78 kg	Base Hold-down:	B13

DRAWINGS

B13



0



1



3

