



## VARTA SILVER dynamic



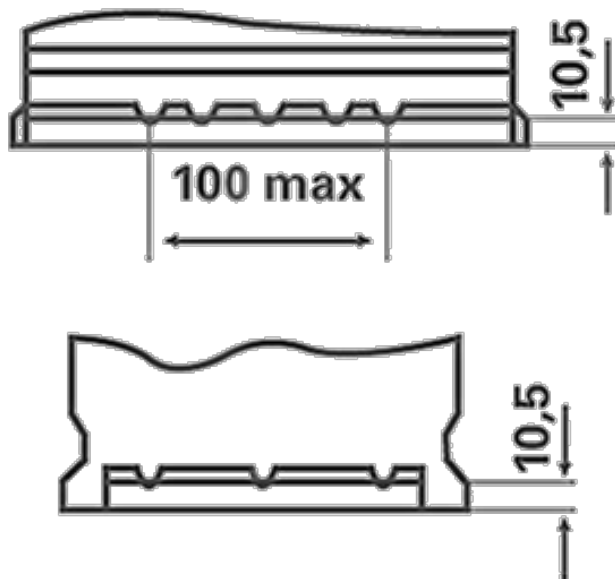
For more information visit [varta-automotive.com](http://varta-automotive.com)

### ORDER INFORMATION

European Type No. (ETN):	563401061
Article Number:	5634010613162
Short Code:	D39
Barcode:	4016987119761
UK Code:	077
Packaging Unit:	1
Quantity per Pallet:	63

### TECHNICAL INFORMATION

Voltage [V]:	12	Base Hold-down:	B13
Battery Capacity [Ah]:	63	Layout:	1
CCA, EN [A]:	610	Terminal Types:	1
Length [mm]:	242	Case Size:	H5R/LN2R
Width [mm]:	175	Weight filled (kg):	14,78
Height [mm]:	190		

**B13****1****3**