



## VARTA BLACK dynamic

### Vehicle Key Benefits



Engineered to the highest German standards



Patented PowerFrame® grid for reliable starting power, fast recharge and corrosion resistance.



Fulfills requirements of the OE as a matching spare part

For more information visit [varta-automotive.com](http://varta-automotive.com)

### ORDER INFORMATION

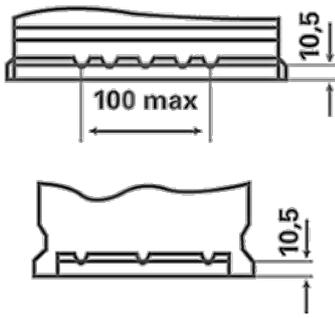
European Type No. (ETN):	570409064
Article Number:	5704090643122
Short Code:	E13
Barcode:	4016987119426
UK Code:	096
Packaging Unit:	1
Quantity per Pallet:	48

### TECHNICAL INFORMATION

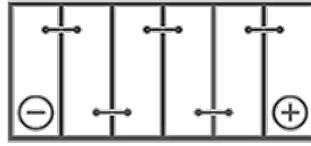
Voltage [V]:	12	Base Hold-down:	B13
Battery Capacity [Ah]:	70	Layout:	0
CCA, EN [A]:	640	Terminal Types:	1
Length [mm]:	278	Case Size:	H6/LN3
Width [mm]:	175	Weight filled (kg):	16,6
Height [mm]:	190		

# DRAWINGS

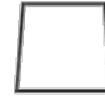
**B13**



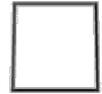
**0**



**1**



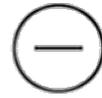
ø 19,5  
H 18



ø 17,9  
H 18



pos.



neg.