

DYNAMIC EFB

570500076K262



Vehicles with Start-Stop technology and increased energy needs.

The VARTA Dynamic EFB is the perfect choice for drivers who value dependability. Designed for Start-Stop technology vehicles with standard electronic features, it delivers extra starting power for confident starts, backed with twice the lifespan of a conventional battery. Smooth, consistent performance on every drive. VARTA batteries meet all the standards of OE manufacturers. Engineered in Germany, VARTA batteries deliver precision performance and lasting reliability.

VEHICLE KEY BENEFITS



Start-Stop

Best start-stop performance for maximum fuel economy – as the start-stop-system can be operated as often as possible.



2x cycle life

2x cycle life compared with a conventional battery.



Reliable performance

Trusted power for vehicles with entry level Start-Stop systems.



Original equipment spare part

Meets all OE criteria from the vehicle manufacturer.



Engineered in Germany

Engineered with precision and expertise in Germany.



Maintenance-free

Maintenance-free battery designed to deliver dependable performance for your vehicle.

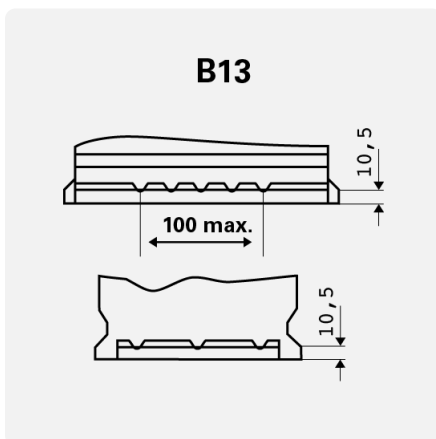
DYNAMIC EFB

570500076K262

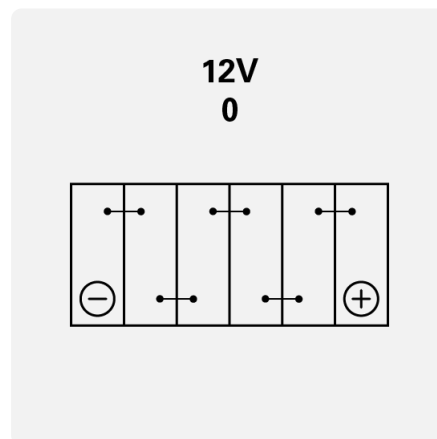
TECHNICAL DATA

Capacity:	70 Ah	CCA:	760 A
Voltage:	12 V	Dimensions (L/W/H):	278/175/190
Case Size:	H6/L3	Short Code:	N70
UK-Code:	096EFB	ETN:	570500076
Weight filled:	19,53 kg	Base Hold-down:	B13
Layout:	0	Terminal Type:	1

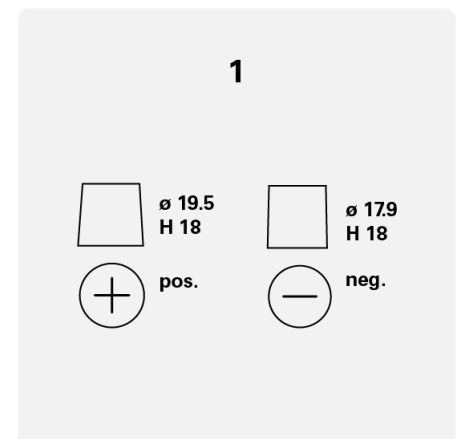
DRAWINGS



Base Hold-down



Layout



Terminal Type