

# DYNAMIC EFB

595500085K262



## Vehicles with Start-Stop technology and increased energy needs.

The VARTA Dynamic EFB is the perfect choice for drivers who value dependability. Designed for Start-Stop technology vehicles with standard electronic features, it delivers extra starting power for confident starts, backed with twice the lifespan of a conventional battery. Smooth, consistent performance on every drive. VARTA batteries meet all the standards of OE manufacturers. Engineered in Germany, VARTA batteries deliver precision performance and lasting reliability.

### VEHICLE KEY BENEFITS



#### Start-Stop

Best start-stop performance for maximum fuel economy – as the start-stop-system can be operated as often as possible.



#### 2x cycle life

2x cycle life compared with a conventional battery.



#### Reliable performance

Trusted power for vehicles with entry level Start-Stop systems.



#### Original equipment spare part

Meets all OE criteria from the vehicle manufacturer.



#### Engineered in Germany

Engineered with precision and expertise in Germany.



#### Maintenance-free

Maintenance-free battery designed to deliver dependable performance for your vehicle.

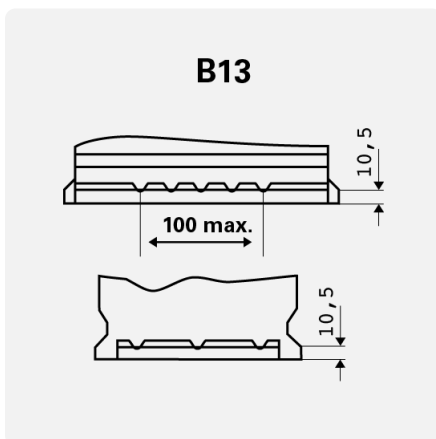
# DYNAMIC EFB

595500085K262

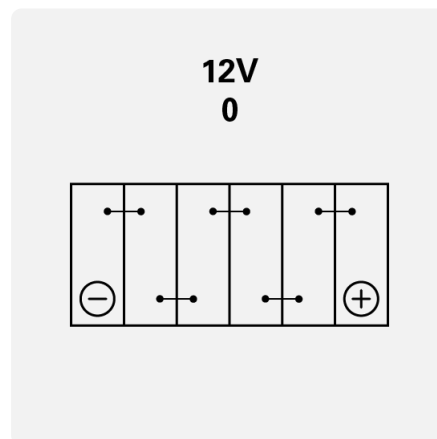
## TECHNICAL DATA

Capacity:	<b>95 Ah</b>	CCA:	<b>850 A</b>
Voltage:	<b>12 V</b>	Dimensions (L/W/H):	<b>353/175/190</b>
Case Size:	<b>H8/L5</b>	Short Code:	<b>N95</b>
UK-Code:	<b>019EFB</b>	ETN:	<b>595500085</b>
Weight filled:	<b>24,49 kg</b>	Base Hold-down:	<b>B13</b>
Layout:	<b>0</b>	Terminal Type:	<b>1</b>

## DRAWINGS



Base Hold-down



Layout



Terminal Type