

PROFESSIONAL AGM

840105095K312



For motorhomes, caravans and boats with high energy demands.

The Professional AGM battery is engineered to fuel off-grid adventures, delivering exceptional power and reliability for extended periods. A battery that can keep up and gives the freedom to explore further and stay longer. Engineered in Germany, VARTA batteries deliver precision performance and lasting reliability.

VEHICLE KEY BENEFITS



Up to 6x cycle life

Up to 6x cycle life compared with a conventional battery.



Dual purpose power

Ideal for dual power applications (starting and overall energy supply).



Engineered in Germany

Engineered with precision and expertise in Germany.



Made in Germany

High quality, best-in-class manufacturing.



Maintenance-free

Maintenance-free battery designed to deliver dependable performance for your vehicle.

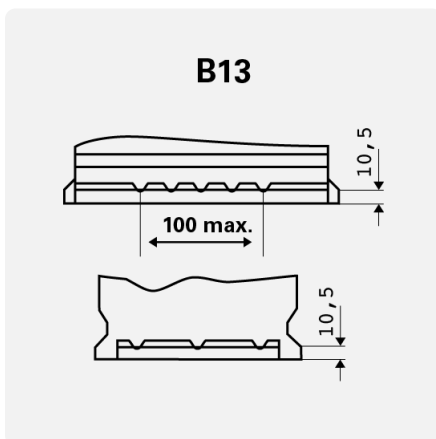
PROFESSIONAL AGM

840105095K312

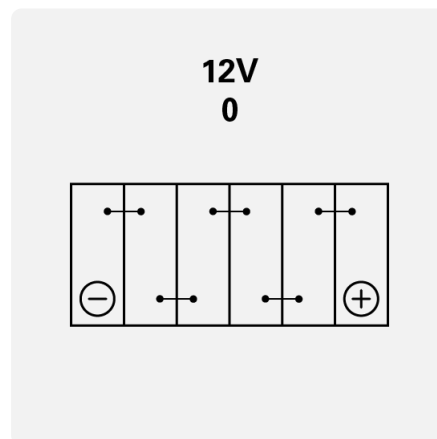
TECHNICAL DATA

Capacity:	105 Ah	CCA:	950 A
Voltage:	12 V	Dimensions (L/W/H):	394/175/190
Case Size:	H9/L6	Short Code:	LA105
UK-Code:	020AGM	ETN:	840105095
Weight filled:	28,53 kg	Base Hold-down:	B13
Layout:	0	Terminal Type:	1

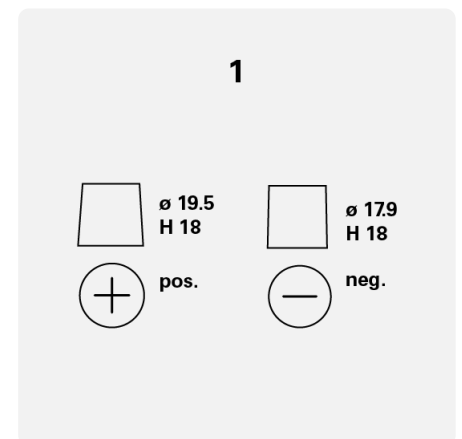
DRAWINGS



Base Hold-down



Layout



Terminal Type