



VEHICLE KEY BENEFITS



German standards

Engineered to the highest German standards



Patented PowerFrame[®]

Patented PowerFrame[®] grid for reliable starting power, fast recharge and corrosion resistance.



Original criteria

Meets all original criteria of the car manufacturer

SILVER DYNAMIC

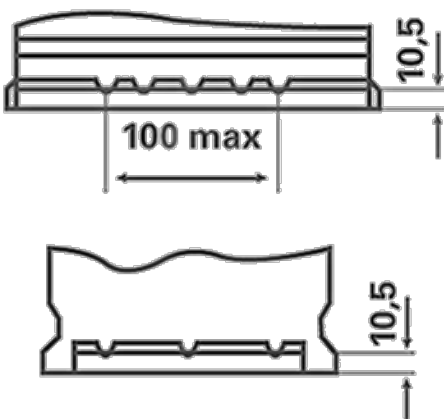
5524010523162

TECHNICAL DATA

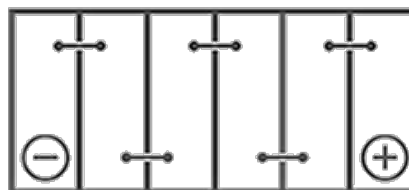
Capacity:	52 Ah	CCA:	520 A
Voltage:	12 V	Dimensions (L/W/H):	207/175/175
Case Size:	T4/LBN1	Short Code:	C6
UK-Code:	063	ETN:	552401052
Weight filled:	11,97 kg	Base Hold-down:	B13

DRAWINGS

B13



0



1



3

