



## VARTA SILVER dynamic

### Vehicle Key Benefits



Engineered to the highest German standards



Patented PowerFrame® grid for reliable starting power, fast recharge and corrosion resistance.



Meets all original criteria of the car manufacturer

For more information visit [varta-automotive.com](http://varta-automotive.com)

### ORDER INFORMATION

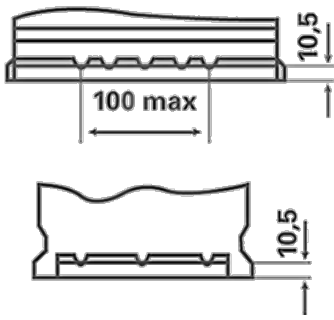
European Type No. (ETN):	585400080
Article Number:	5854000803162
Short Code:	F19
Barcode:	4016987143636
UK Code:	115
Packaging Unit:	1
Quantity per Pallet:	36

### TECHNICAL INFORMATION

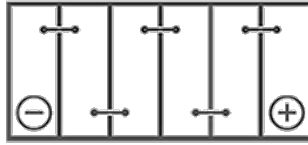
Voltage [V]:	12	Base Hold-down:	B13
Battery Capacity [Ah]:	85	Layout:	0
CCA, EN [A]:	800	Terminal Types:	1
Length [mm]:	315	Case Size:	H7/LN4
Width [mm]:	175	Weight filled (kg):	19,76
Height [mm]:	190		

# DRAWINGS

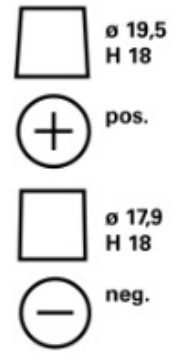
**B13**



**0**



**1**



**3**

