



## VARTA BLUE dynamic

For more information visit [varta-automotive.com](http://varta-automotive.com)

### ORDER INFORMATION

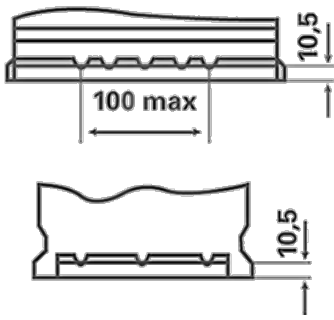
<b>European Type No. (ETN):</b>	574012068
<b>Article Number:</b>	5740120683132
<b>Short Code:</b>	E11
<b>Barcode:</b>	4016987119532
<b>UK Code:</b>	096
<b>Packaging Unit:</b>	1
<b>Quantity per Pallet:</b>	48

### TECHNICAL INFORMATION

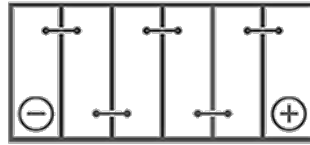
<b>Voltage [V]:</b>	12	<b>Base Hold-down:</b>	B13
<b>Battery Capacity [Ah]:</b>	74	<b>Layout:</b>	0
<b>CCA, EN [A]:</b>	680	<b>Terminal Types:</b>	1
<b>Length [mm]:</b>	278	<b>Case Size:</b>	H6/LN3
<b>Width [mm]:</b>	175	<b>Weight filled (kg):</b>	17,87
<b>Height [mm]:</b>	190		

DRAWINGS

**B13**



**0**



**1**

