



SILVER DYNAMIC AGM

605901095J382



SILVER DYNAMIC AGM

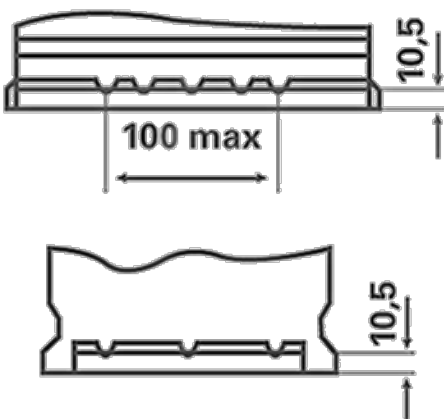
605901095J382

TECHNICAL DATA

Capacity:	105 Ah	CCA:	950 A
Voltage:	12 V	Dimensions (L/W/H):	394/175/190
Case Size:	H9/LN6	Short Code:	A4
UK-Code:	020AGM	ETN:	605901095
Weight filled:	29,4 kg	Base Hold-down:	B13

DRAWINGS

B13



0



1



3

